

Check Valve, piloted NG 6 ISO 4401, sandwich plate Technical Data Sheet



Technical Data

General

Type of valve	seat valve, spring-loaded
Mounting method	M5 DIN 912
Connection	mounting plate
Ambient temperature	-5 to +50 °C
Mounting position	any
Mass valve	0.8 kg

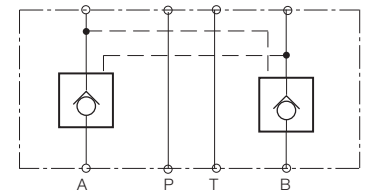
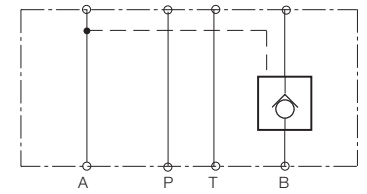
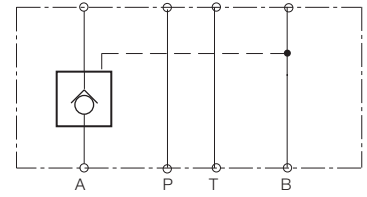
Hydraulic

Operating pressure	
P,A,B,T	max. 315 bar
Hydraulic oil temperature	-5 to +70 °C
Viscosity range	10 to 300 mm ² /s
Flow ratio	characteristic curve
Flow	max. 60 l/min

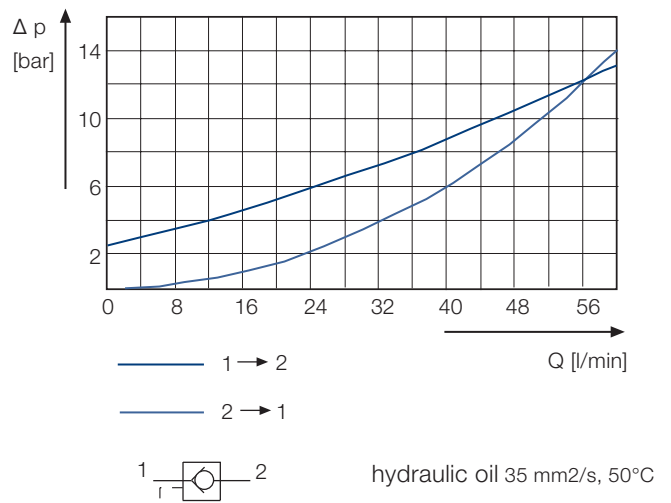
Features

- leakage free guided poppet valve
- compact design
- soft opening by pre-release

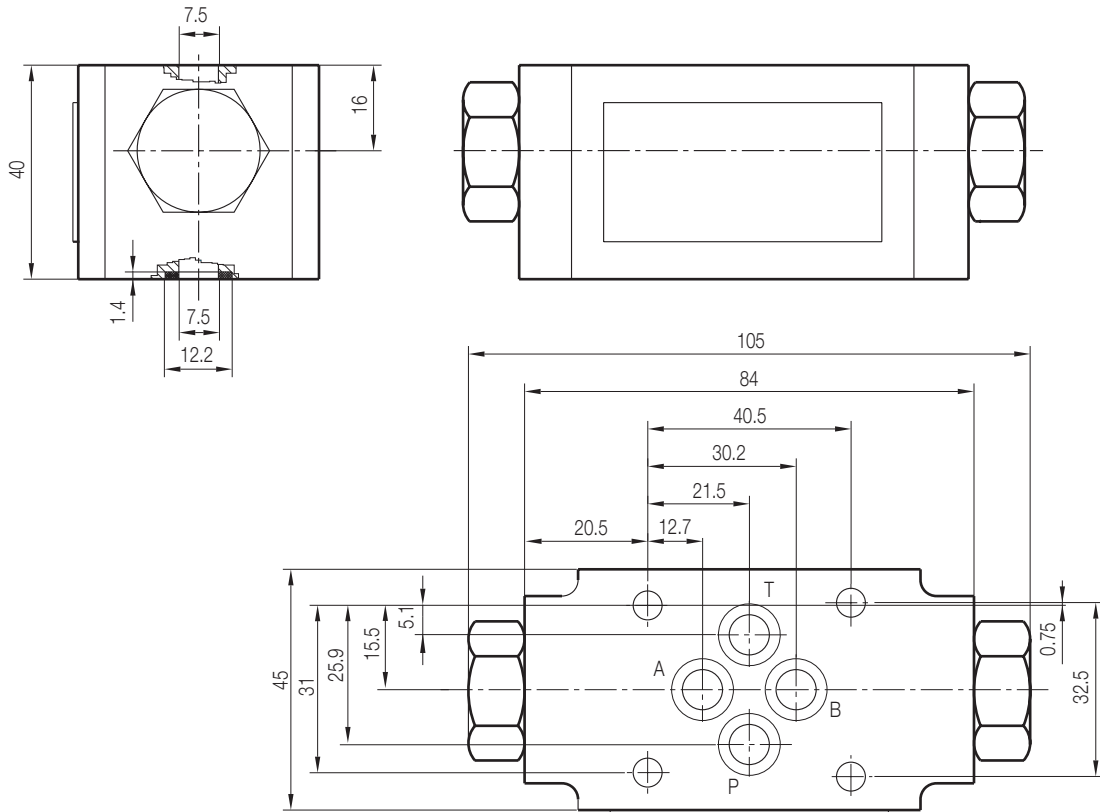
Symbol



Characteristic Curve

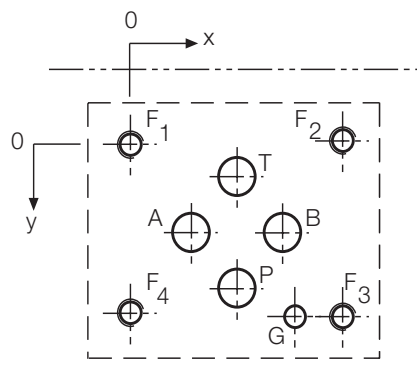


Dimensional Drawing



all dimensions in mm

Port Connection Pattern NG 6 ISO 4401



view: fastening side of mounting plate

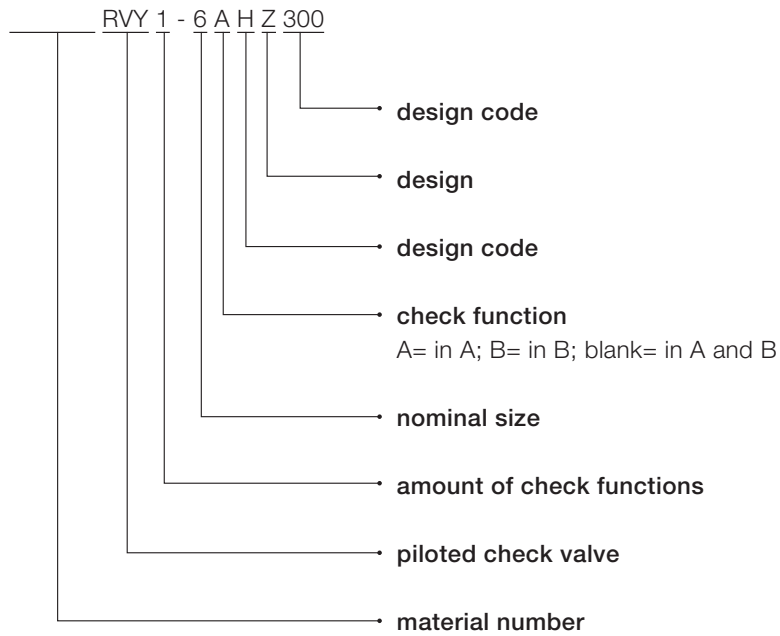
	P	A	T	B	F1	F2	F3	F4	G
Ø max [mm]	7,5	7,5	7,5	7,5	-	-	-	-	4
x [mm]	21,5	12,7	21,5	30,2	0	40,5	40,5	0	33
y [mm]	25,9	15,5	5,1	15,5	0	-0,75	31,75	31	31,75

F: M5, thread depth minimum $1.5 \times \varnothing$

G: bore hole depth minimum $1.5 \times \varnothing$

Various single and multiple mounting plates are available.

Type Code



This is a translated document. Original language: german.
Legally binding language version of document: german.

Voith Turbo H + L Hydraulic GmbH & Co. KG
Schuckertstraße 15
71277 Rutesheim, Germany
Tel. +49 7152 992 3
Fax +49 7152 992 400
sales-rut@voith.com
www.voith.com/hydraulic-systems



VOITH
Engineered Reliability