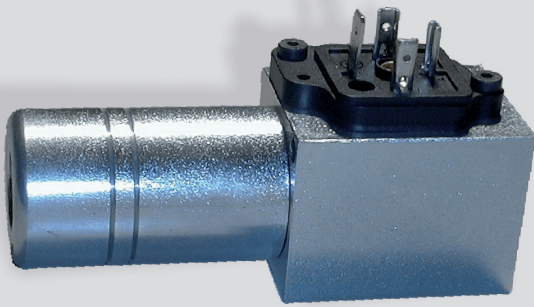


Pressure Sensor, Piston Pressure Sensor, hydraulic-electric Technical Data Sheet



- hydraulic-electric pressure sensor (binary switch)
- hydraulic damped piston
- small signal hysteresis
- various mounting positions
- adjustment by cap screw
- 6 pressure ranges

Technical Data

General

Type	piston operated signal generator
Mounting	plate or thread mounting
Ambient temperature	-5 to +50 °C
Mounting position	mountable in any position
Weight	0.5 kg

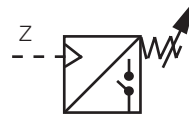
Hydraulic

Operating pressure, port Z	max. 315 bar
Pressure step	3-10, 4-40, 6-64, 10-100, 15-160, 25-250 bar
Hydraulic oil temperature	-10 to +70 °C
Viscosity range	10 to 300 mm ² /s

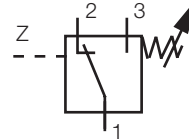
Electric

Current (max)	1A DC
Voltage (±10%)	24V DC
Protection system DIN 40050	IP65, plugged valve plug

Symbol

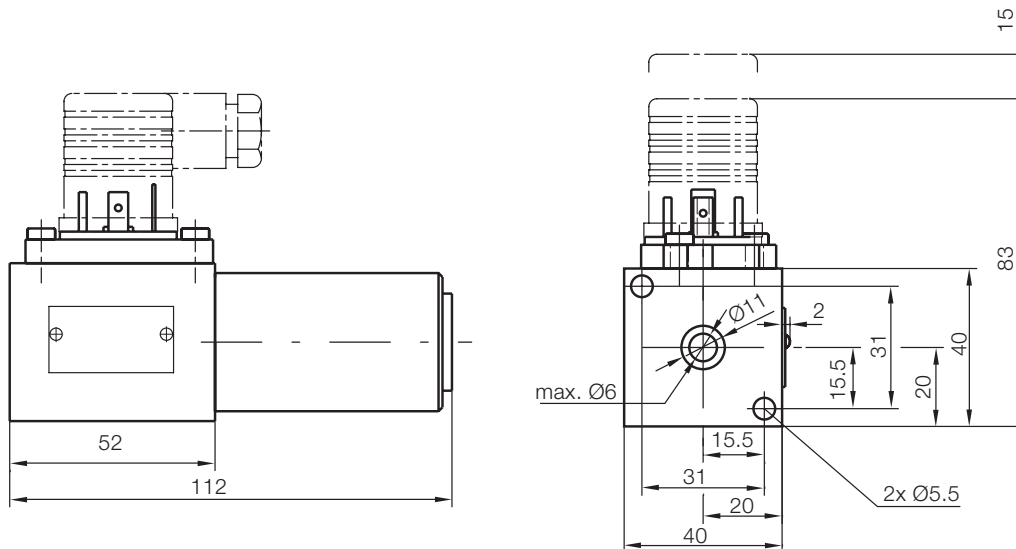


Electrical Connection



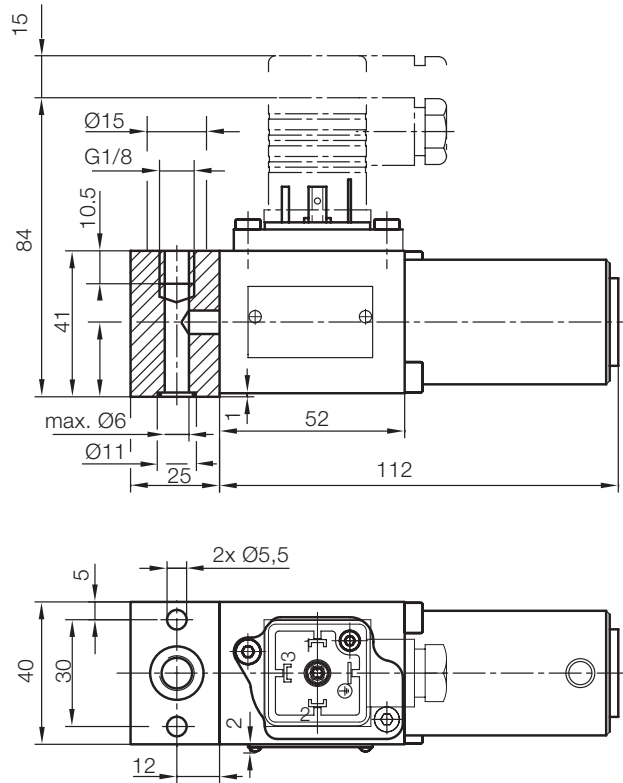
plug type: DIN 43650, type A

Dimensional Drawing, vertical manifold mounting

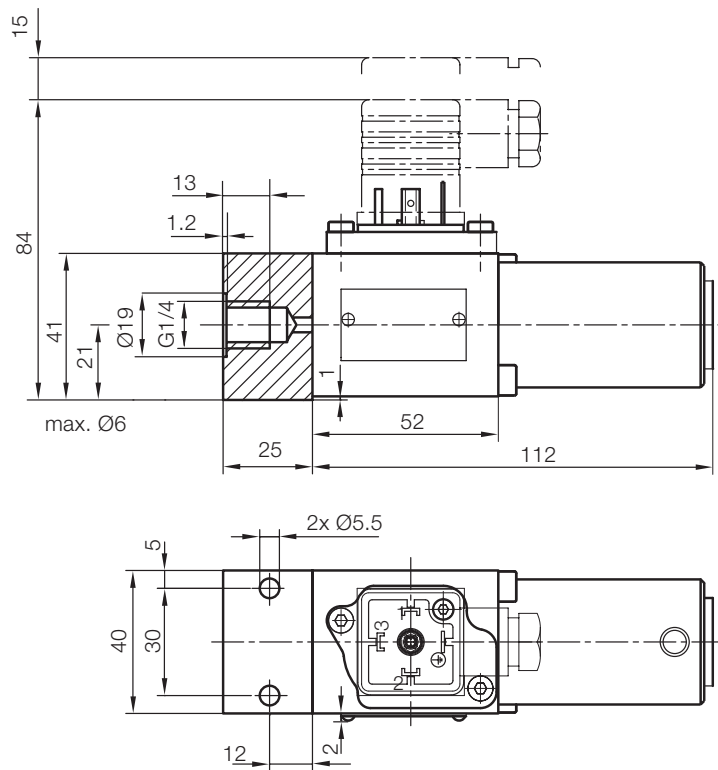


plug is not included
dimensions in mm

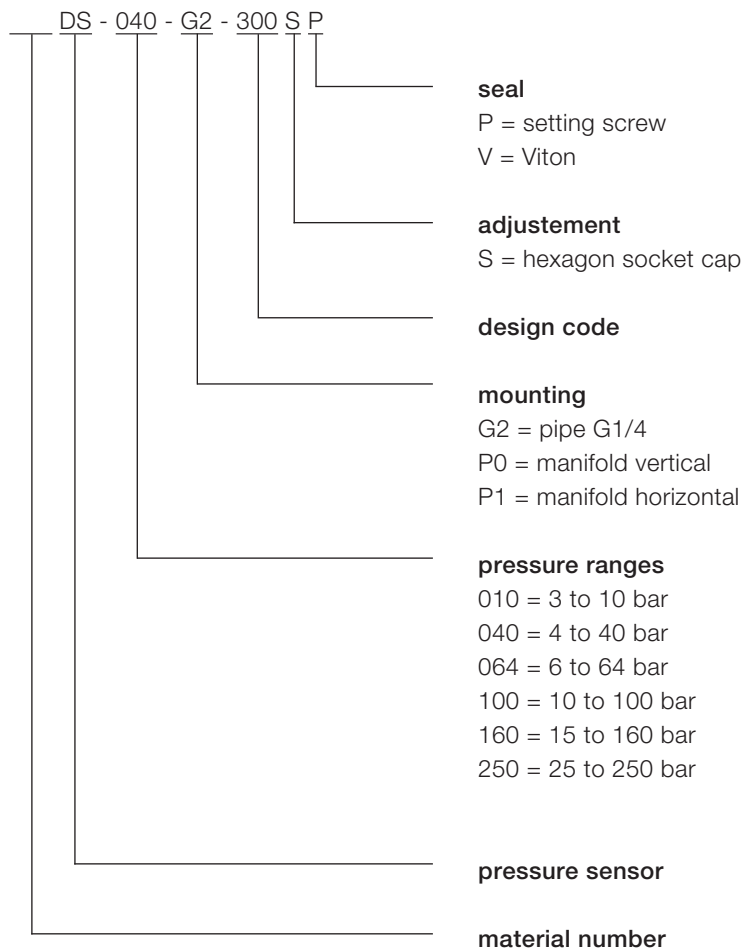
Dimensional Drawing, horizontal manifold mounting



Dimensional Drawing, G1/4 pipe fitting



Type Code



This is a translated document. Original language: german.
Legally binding language version of document: german.

Voith Turbo H + L Hydraulic GmbH & Co. KG
Schuckertstraße 15
71277 Rutesheim, Germany
Tel. +49 7152 992 3
Fax +49 7152 992 400
sales-rut@voith.com
www.voith.de/hydraulic-systems



VOITH
Engineered Reliability