

## Pressure-Reduction Valve NG 4 ISO 4401, sandwich-plate valve Technical Data Sheet



## Technical Data

### General

|                     |                |
|---------------------|----------------|
| Type                | piston valve   |
| Fastening method    | sandwich plate |
| Mounting method     | mounting plate |
| Mounting positions  | any            |
| Ambient temperature | -5 to +50 °C   |
| Weight              | 0.6 kg         |

### Hydraulic

|                           |   |
|---------------------------|---|
| Operation pressure P,A,B  | max. 315 bar  |
| Pressure steps            | 3 - 30 bar;<br>5 - 60 bar;<br>10 - 150 bar;<br>20 - 250 bar |
| Hydraulic oil temperature | -5 to +70 °C  |
| Viscosity range           | 10 to 300 mm <sup>2</sup> /s                                |
| Operating flow range      | characteristic curve  |

### Features

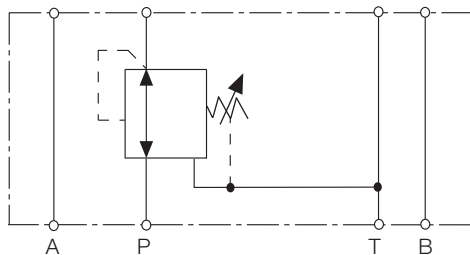
- damped piston valve
- small hysteresis
- several pressure steps
- compact design

### Options

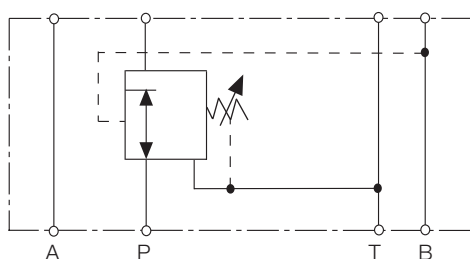
- measuring connection 1/8"
- several adjustment elements

### Symbol

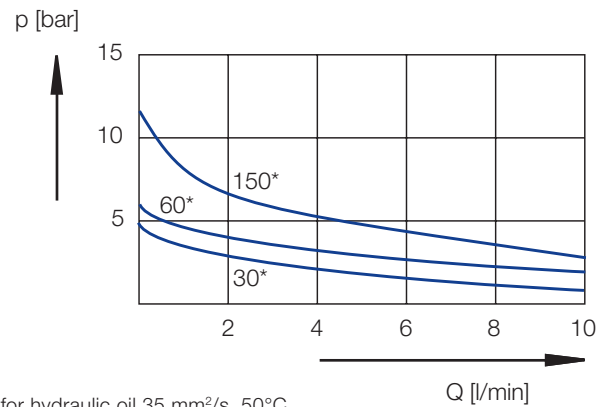
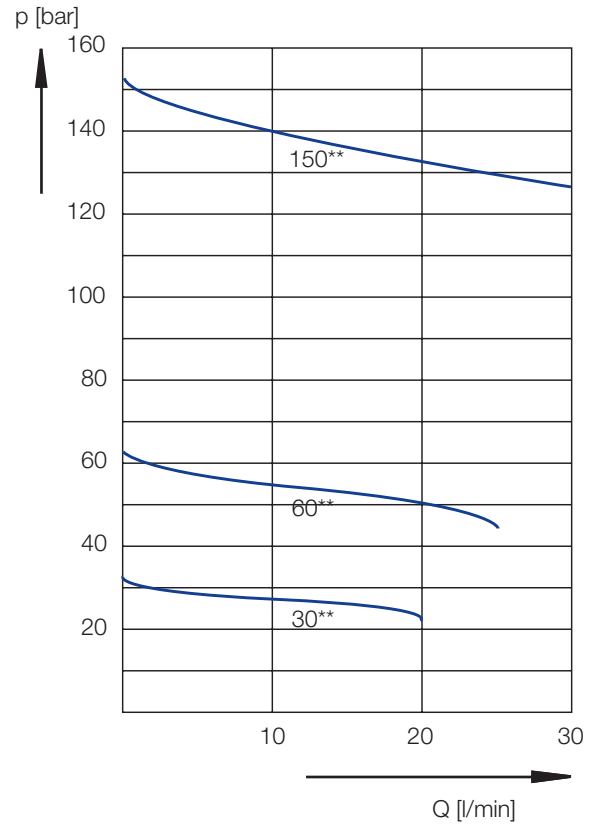
D40 pressure reduction in P



D41 pressure reduction in B



## Characteristic Curve

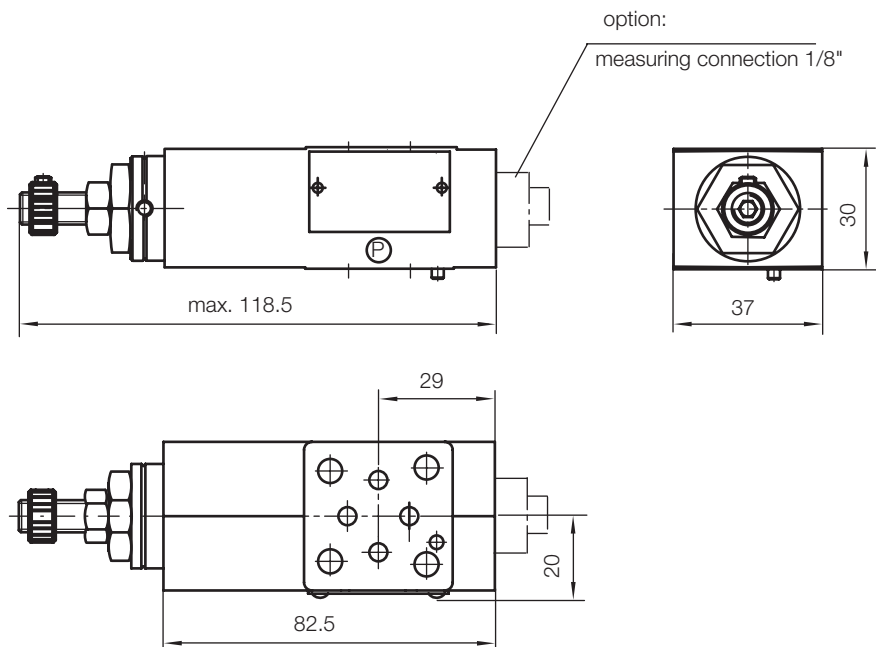


for hydraulic oil 35 mm<sup>2</sup>/s, 50°C

\* min. adjustable pressure

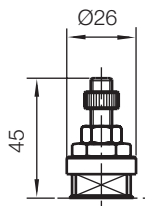
\*\* max. adjustable pressure

## Dimensional Drawing

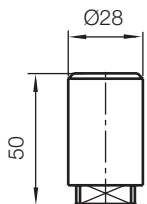


## Adjustment Elements

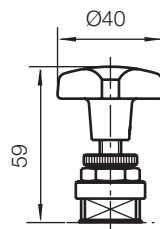
design S  
S = setting screw



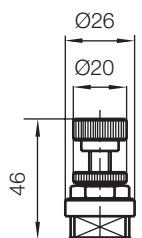
design K; P  
K = cover  
P = cover with lead seal



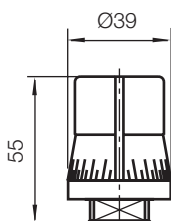
design G  
G = star knob



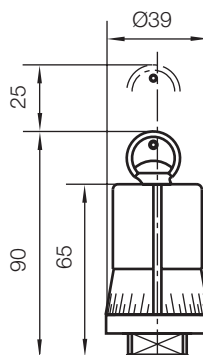
design H  
H = handwheel



design D  
D = rotary knob

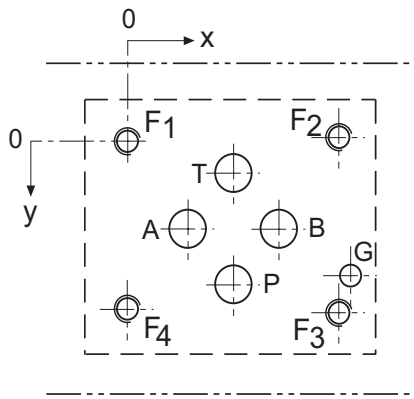


design V  
V = rotary knob and lock



all dimensions in mm

## Port Connection Pattern NG 4 ISO 4401



view: fastening side of mounting plate

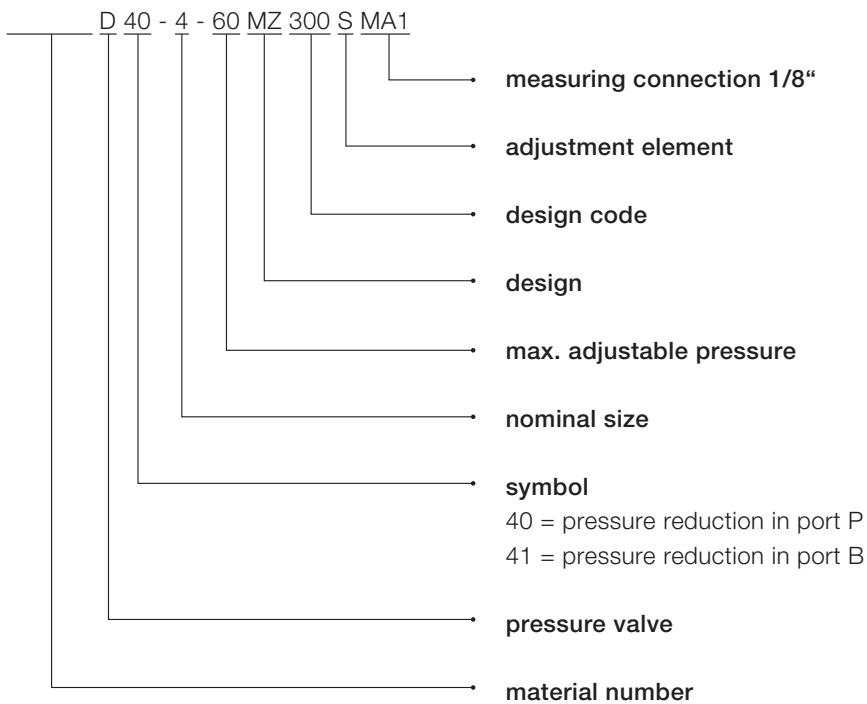
|            | P     | A     | T    | B     | F1 | F2    | F3    | F4   | G     |
|------------|-------|-------|------|-------|----|-------|-------|------|-------|
| Ø max [mm] | 4.5   | 4.5   | 4.5  | 4.5   | -  | -     | -     | -    | 3.4   |
| x [mm]     | 12    | 4.3   | 12   | 19.7  | 0  | 24    | 24    | 0    | 26.5  |
| y [mm]     | 20.25 | 11.25 | 2.25 | 11.25 | 0  | -0.75 | 23.25 | 22.5 | 17.75 |

F: M5, thread depth min. 1.5 x Ø

G: bore hole depth min. 1.5 x Ø

Various single and multiple mounting plates are available.

## Type Code



Voith Turbo H + L Hydraulic GmbH & Co. KG  
Schuckertstraße 15  
71277 Rutesheim, Germany  
Tel. +49 7152 992 3  
Fax +49 7152 992 400  
sales-rut@voith.com  
[www.voith.com/hydraulic-systems](http://www.voith.com/hydraulic-systems)



**VOITH**  
Engineered Reliability