



High-quality protection for the approach flow IntegraGuard

Efficient screening for reliable paper production

The screening process of conventional sorters often causes deposits and stringing because of an unequal flow and resulting partially high screen passing velocity. Furthermore, sheet breaks at the paper machine and variations in MD profile often occur due to the pulsation of rotating machines. Consequently, the paper quality decreases and productivity declines.

The newly developed IntegraGuard ensures an efficient screening process at the approach flow. The optimized head geometry and machine housing enable reliable operation and an increased capacity.

Enhanced runability of the paper machine

The machine housing of IntegraGuard ensures a homogeneous and low screen passing velocity and prevents stringing. The eccentric position of the screen basket avoids deposits caused by an unequal flow pattern. As a result, the operational reliability and thus the production capacity increase.

Benefits IntegraGuard

- + Low maintenance costs
 - + Reduced investment costs
 - + Enhanced runability of the paper machine
-

Due to the optimized flow pattern in the head piece, just a low rotor speed is required. This optimization decreases pulsations at the approach flow significantly, and a higher paper quality and runability of the paper machine can be achieved.

Low costs for maintenance

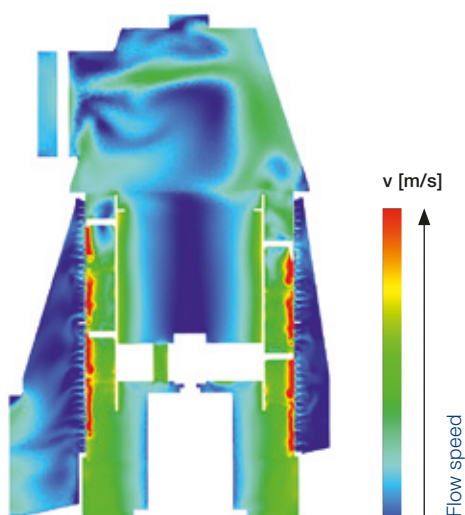
The standardization of spare parts across the Integra product family requires less storage area and therefore lower costs. The inspection cover on top of the machine facilitates the check of the machine and reduces maintenance time.

BlueLine – sustainable solutions for the future

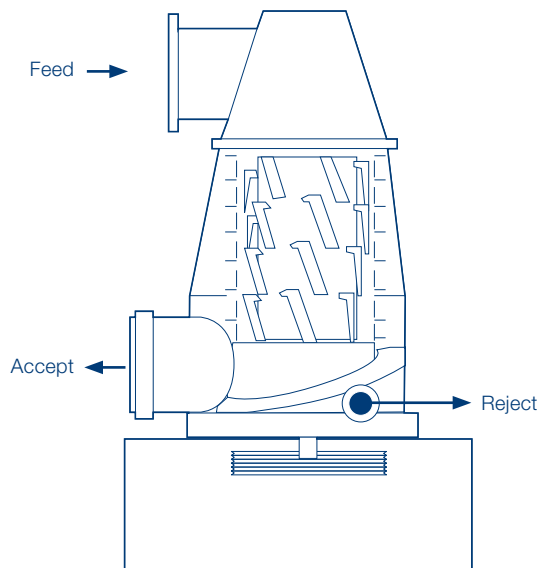
IntegraGuard is part of the new BlueLine product line, thanks to its resource-saving features like lower maintenance costs and higher runability.

The product line is tailored to the needs of the modern, environmentally friendly paper industry. With BlueLine, customers profit from proven Voith quality and reliability and at the same time low energy and water consumption, reduced fiber loss, enhanced safety and low maintenance costs. The product line combines resource-saving machines of stock preparation.

Optimal screen passing velocity in the machine housing



IntegraGuard Functional description



Voith Group
St. Poeltener Str. 43
89522 Heidenheim
Germany

Contact:
Phone +49 7321 37 0
paper@voith.com

www.voith.com/paper



VOITH
Inspiring Technology
for Generations