

M-Line Pelton

Shorten the delivery time up to 30%



+ e-BoP will be included

+ M-Line Pelton delivers complete, fast solutions designed and manufactured by Voith Hydro

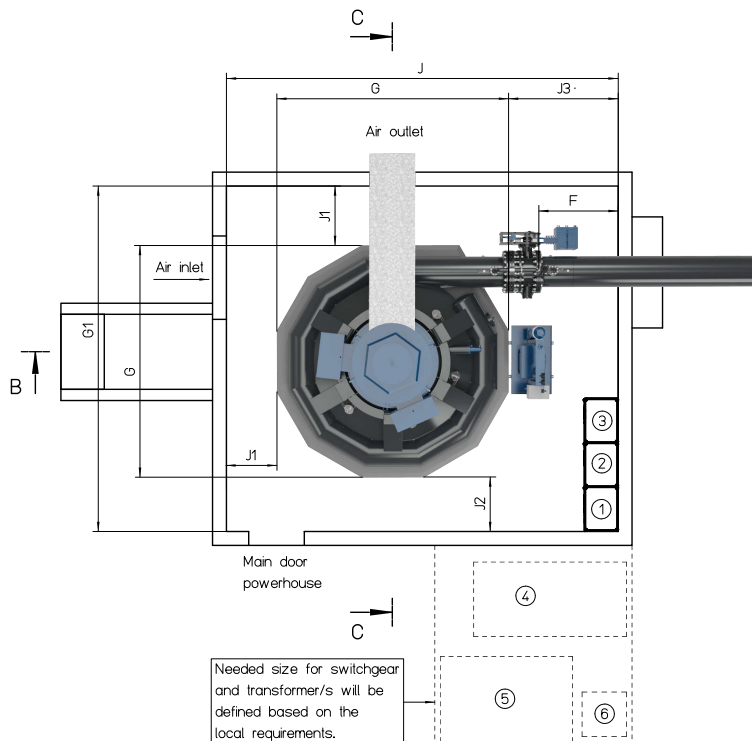
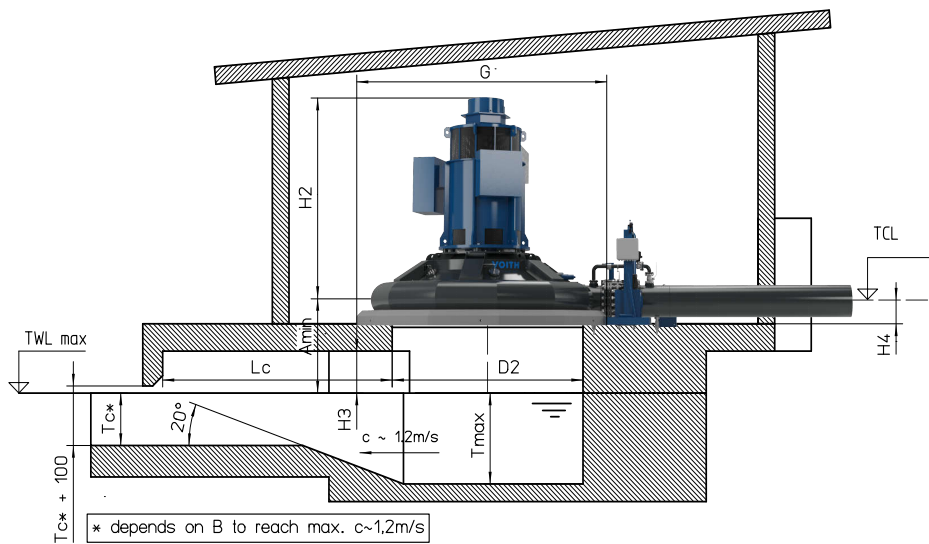
+ We offer a fast installation with the proven Voith Hydro quality

+ We focused on the development of turbines which stand out due to shortened delivery time

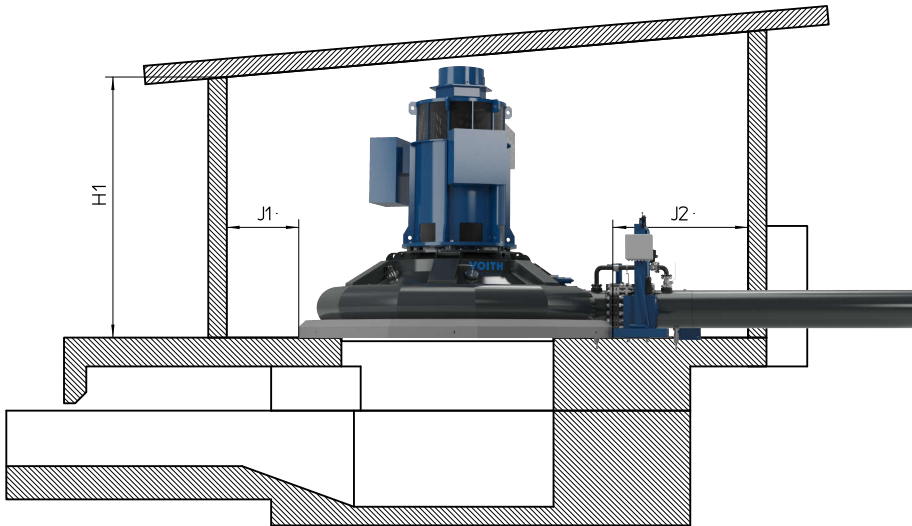
+ We will provide the space information for planning your powerhouse from the beginning

M-Line Pelton Standardized Layout Drawing

Section A-A



Section B-B

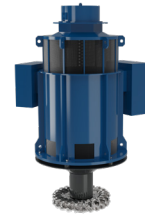


The M-Line Pelton is available in different sizes to suit your needs in the most efficient way. Once defined the right size with the application diagram at the back, you will immediately see all major space information of our recommended layout in the table below to start planning the powerhouse right away.

Value (m)*	SMALL	MEDIUM
F	1.50	1.50
G	4.00	4.70
G1	6.20	7.00
HGeno[max. 20to]	1.60 - 2.50	2.30 - 3.80
H1	2.20 + HGeno	2.40 + HGeno
J	7.10	7.80
J1	1.00	1.00
J2	1.25	1.25
J3	2.10	2.10
Amin	1.50	1.60
D2	3.10	3.80
G	4.00	4.70
H2	0.70 + HGeno	0.90 + HGeno
H3	0.60	0.60
H4	0.50	0.50
Lc	3.50	4.00
Tc*	0.75	0.75
Tmax	1.30	1.50

* Voith reserves the right to make changes of the dimensions.

Module Generator



Module Housing



Module HPU



Module Turbine Inlet Valve



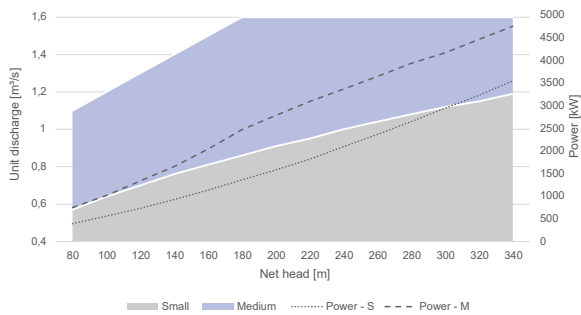
Module Automation



M-Line Pelton

Our customers can benefit from many different advantages

Application Diagram - Pelton Vertical M-Line



Pelton Vertical M-Line



On the application diagram you can see all available sizes of the Pelton Vertical M-Line. Use your net head/discharge area in the diagram to see your M-Line size immediately.

The turbine power output is depending on the M-Line size. If your data applies on two sizes feel free to contact us to find the best solution for your project.

Benefits

- + Short delivery time
- + Proven Voith quality
- + Viability check via application diagram
- + Minimum power house dimensions
- + Simplified power house design that saves building costs

- + Reduced installation and startup times through pre-assembled modules
- + e-BoP will be included

Voith Hydro GmbH & Co KG
Division Small Hydro VHGE
Griesmaierstraße 4
3151 St. Georgen/Stfd., Austria

Contact:
Phone +43 2742 806 -0
SmallHydro@voith.com



VOITH