

## Pressure-Sequence Valve NG 6 ISO 4401, directly controlled



- damped piston valve
- small hysteresis
- several pressure steps
- some adjustment method

## Technical Data

### General

Symbol	please see symbol diagram
Type of valve	piston valve
Operation	electric
Mounting	4 x M5 x 50 DIN912
Connection of ports	mounting plate
Mounting positions	mountable in any positions
Ambient temperature	-5 to +50 °C
Mass valve	1.2 kg
Mass mounting plate	1.0 kg

### Hydraulic

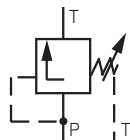
Operation pressure range	
Ports A, B	3 - 30; 5 - 60; 10 - 150 or 20 - 250
Hydraulic oil temperature	-5 to +70 °C
Viscosity range	10 to 300 mm <sup>2</sup> /s
Operating flow range	see characteristic curve

### Options

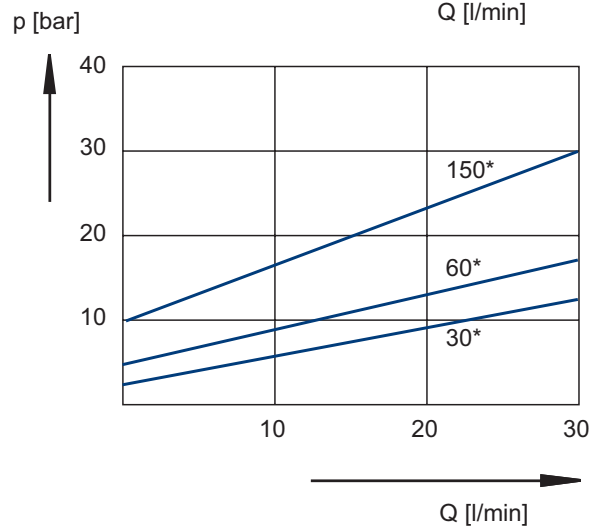
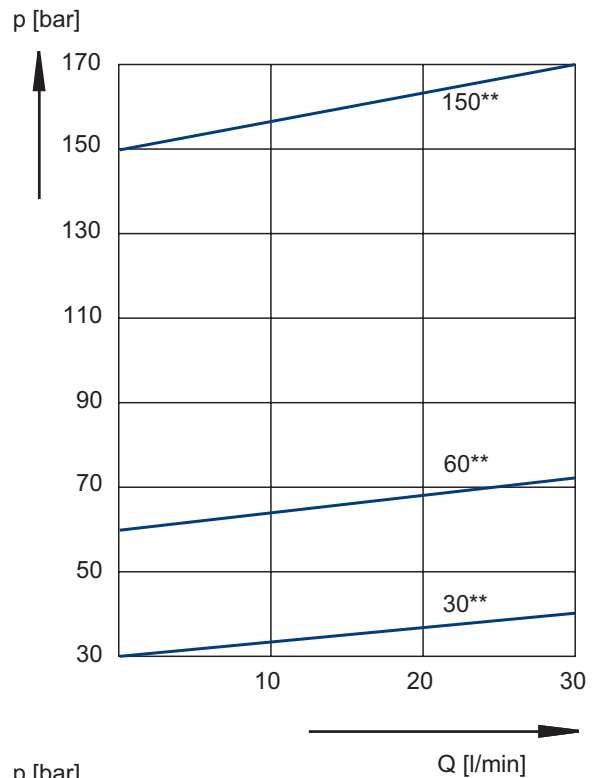
- pressure-gauge isolator valve

### Symbol

11



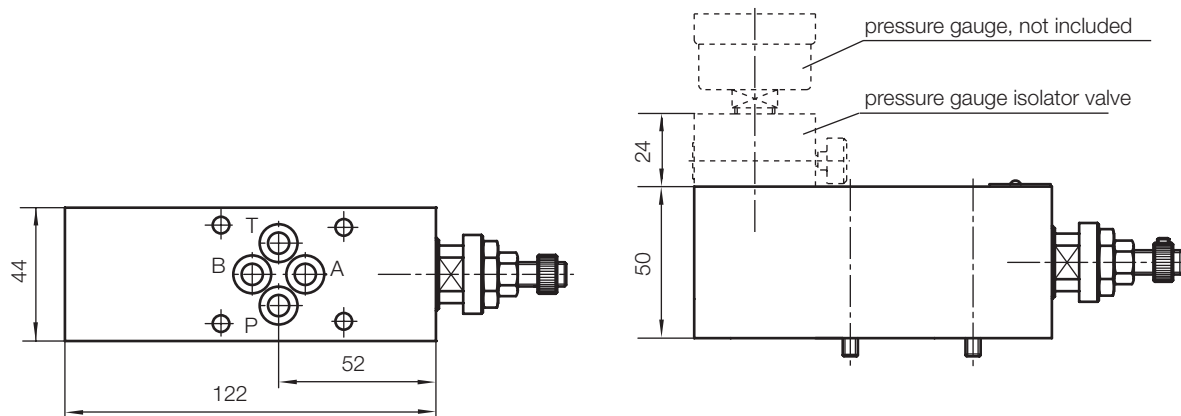
## Characteristic curve



\*min. adjustable pressure

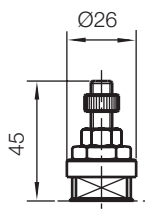
\*\*max. adjustable pressure

## Dimensional Drawing

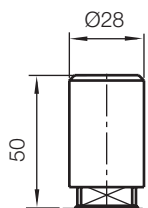


## Adjustment Methods

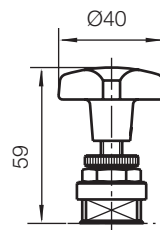
design S  
S = setting screw



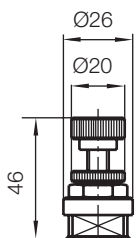
design K; P  
K = cover  
P = cover with lead seal



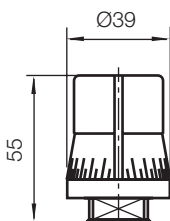
design G  
G = star knob



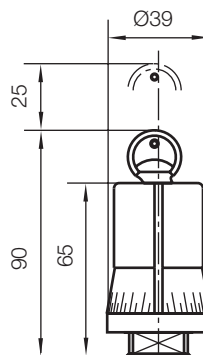
design H  
H = handwheel



design D  
D = rotary knob

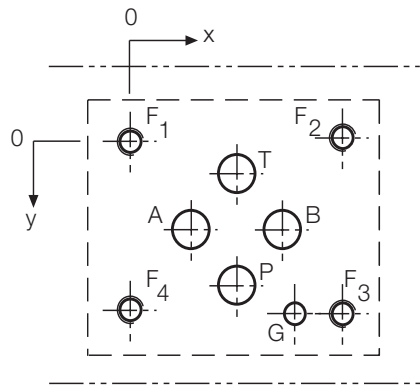


design V  
V = rotary knob and lock



all dimensions in mm

## Port Connection Pattern NG 6 ISO 4401

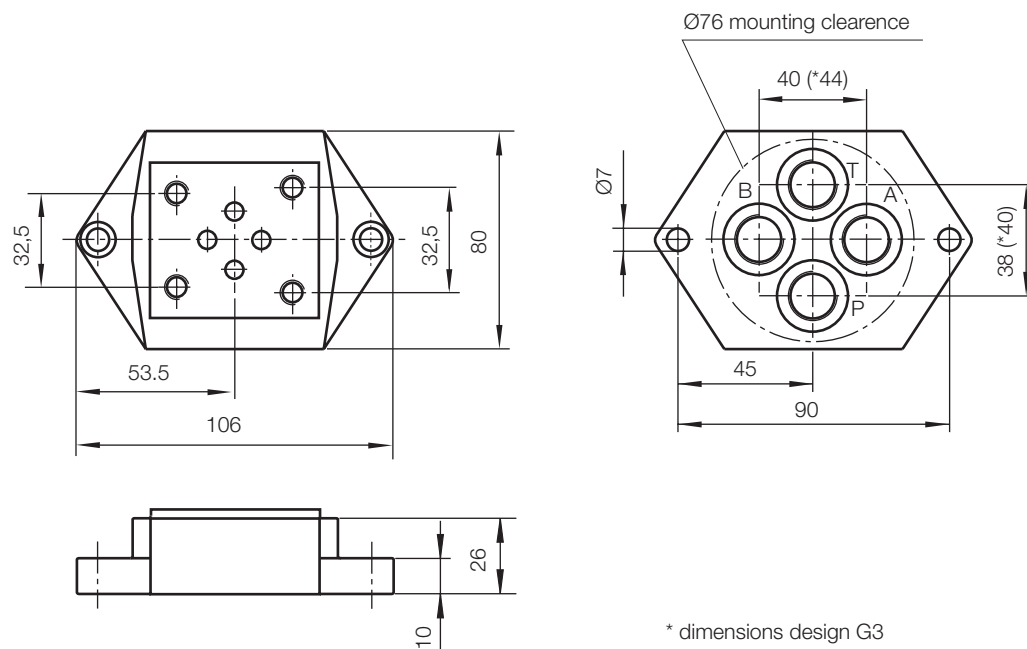


	P	A	T	B	F1	F2	F3	F4	G
Ø max [mm]	7.5	7.5	7.5	7.5	-	-	-	-	4
x [mm]	21.5	12.7	21.5	30.2	0	40.5	40.5	0	33
y [mm]	9	15.5	5.1	15.5	0	-0.75	31.75	31	31.75

F: M5, thread depth min. 1.5 x Ø

G: bore hole depth min. 1.5 x Ø

## Single-Unit Mounting Plate



Order number single-unit mounting plate:

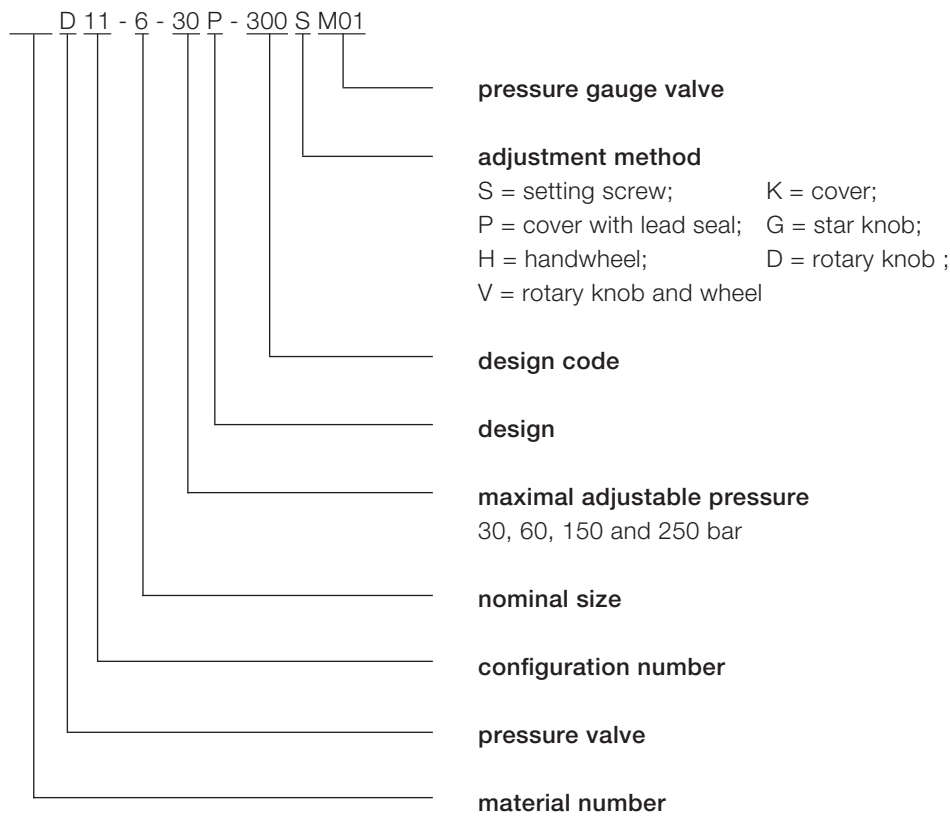
PW6-G1-400, pipe connections R1/4"

PW6-G2-400, pipe connections R3/8"

Multiple-unit mounting plate on request.

## Type Code

---



Voith Turbo H + L Hydraulic GmbH & Co. KG  
Schuckertstraße 15  
71277 Rutesheim, Germany  
Tel. +49 7152 992-3  
Fax +49 7152 992-400  
sales-rut@voith.com

voith.com



**VOITH**  
Engineered Reliability