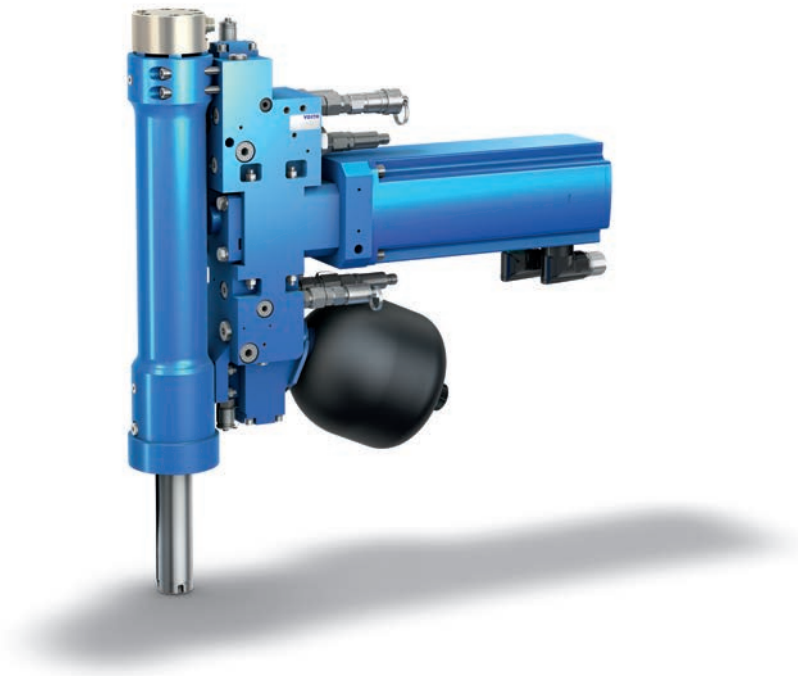


DrivAx CLCP

Self-contained servo drives

Product data sheet



Advantages

- + High productivity and flexibility
- + Resource-saving and energy efficient
- + High reliability and availability
- + Compact – neither power pack nor piping
- + Downsizing – reduced electrical connection power and weight

DrivAx servo drives

Efficient drive technology for high productivity

DrivAx servo drives combine the advantages of hydraulics with the advantages of servo drives. The result: energy-efficient drives with low heat and noise emissions and at the same time high robustness, power density and dynamics.

DrivAx servo drives consist of a variable speed pump and a servo motor, which simultaneously serves as drive and control for the actuator.

They are suitable for all linear movements requiring high forces and precision. At the same time, they are highly productive while protecting the environment, climate and resources.

Perfectly adaptable to your requirements, DrivAx servo drives are available in various system configurations:

- Motor pump combination
- Self-contained drives
- Application-specific system solutions

Machine and equipment manufacturer

Why you should rely on DrivAx servo drives?



The allrounder with a modular set-up

DrivAx servo drives supports all common standard interfaces, enabling them to be easily integrated into existing machines. Various pre-configured modules allow optimal dimensioning of the system, precisely matching to your application. Furthermore, the drive can be scaled and synchronized to cover all conceivable force spectra. The allrounder for all applications.



Less is always more – no servo valves required

The drive technology of the future works without a complex infrastructure. DrivAx drives are based on a combination of a servo motor and a variable speed pump. The servo motor drives the system and precisely controls the force, movement, and position of the actuator. Control valves, hydraulic power units and complex piping are no longer required. True to the principle: less is more.



Easily integrated, rapidly enabled

DrivAx drives are compact, optionally self-contained systems and therefore very easy to integrate into machines. A mechanical interface, an electrical connection, and data connections for the sensor system are all that is needed. As there is no need for complex power unit pipings, valve technology cabling, and filtering of the hydraulic fluid, you save a lot of time while designing and commissioning your machine. For lean mechanical engineering without compromise.

DrivAx IPS



2002

DrivAx PSH



2011

DrivAx CLDP



2012

DrivAx CSH



DrivAx PDSC



2014



Operators of machines and plants

Why you should rely on DrivAx servo drives?



Increase productivity, save resources

No proportional valves, but the pump regulates the volume flow and pressure. Only as much electrical energy as the process actually requires is converted into power. Efficiency at its best. And at the same time, electricity costs and CO₂ emissions are reduced. It's not just the environment that benefits.



Intelligent solutions for Industry 4.0

DrivAx servo drives work precisely, with high forces, while paving the way for sustainable, climate-friendly production processes. Intelligent sensors and electronics control, regulate and monitor the drive system, which not only enables high machine productivity but also gives the system diagnostic capability – ready for Condition Monitoring and Predictive Maintenance.



The reliable endurance runner

DrivAx servo drives are compact power packs with a high level of endurance and low maintenance. The actuator is practically wear-free in operation, while proven pump technology and reduced system complexity guarantee long maintenance intervals. Compared to electromechanical solutions, the lifetime is increased by 80%, even in highly demanding operating conditions.



Less oil, good for the environment

DrivAx servo drives only consume as much energy as is currently needed in the process. This not only reduces electricity costs, but also the heat input into the hydraulic medium and the necessary cooling effort are reduced. Hydraulic fluid can be reduced by up to 90%. Green light for clean technology.

DrivAx CLCP



2016

DrivAx RQ4



2021

DrivAx IQ4



2022

DrivAx CLCP

Compact, energy-efficient and highly productive

DrivAx CLCP are self-contained servo drives for customer requiring weight and space optimized linear drives at highest forces and precision

DrivAx CLCP are self-contained drives, consisting of a 4Q variable speed pump a servo motor and an actuator, combining the best of hydraulic and electric drive technology. The specially designed pump controls the pressure or flow rate. The servo motor serves simultaneously as a drive and to control the force and position of the actuator. Servo valves for process control, filtering, cabling and complex piping are thus a thing of the past.

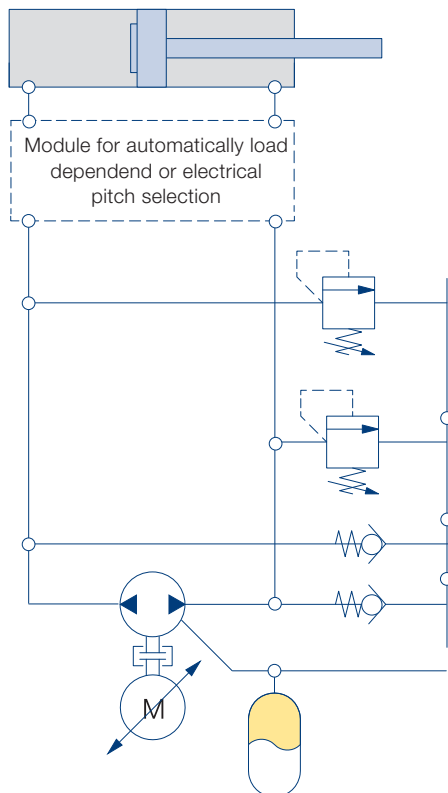
The specially designed control enables automatic load dependent or electrical command gear shifting. As a result, the electric connection power is significantly reduced with the result that the size of the motor and the VFD are smaller. The self-contained Integrated sensor technology monitors the processes and lays the foundation for automation and condition monitoring. Benefit from our many years of expertise in all aspects of hydraulic servo drives.

Starting with the calculation and design, continuing with the installation and commissioning, up to questions of cost-optimized operation and maintenance concepts – we are your partner with system competence.

Technical data

Ambient temperature	0°C to +40°C
Mounting position	any
Working force	up to 300 kN higher forces on request
Stroke length	50, 100, 200 mm, longer strokes on request
Linear feedback system (option)	absolute encoder
Positioning accuracy	0.01 mm, typical
Pressure control accuracy	0.5 % FS (full scale), typical
Repeatability	0.01 mm, typical
Protection class	IP54/IP64
Control	position and/or force control
Service interval	3 years, 20,000 operating hours or 10 million load changes

System drawing



Scope of delivery

- Basic version:
 - Complete drive unit
 - Motor, pump, cylinder, compensation tank, pressure switch
 - Oil filling with high performance fluid PF-700
 - Drift protection (not a safety component)
- Options:
 - Servo converter with interface cards
 - Line filter, mains line choke, brake resistor
 - Motor cable, encoder cable
 - Parameterization software
 - Start-up on-site
 - Filling and flushing station
 - Fan

Applications

- Bending machines
- Cutting machines
- Forming machines
- Presses
- Special machines
- General replacement of spindle drives with servo motor
- Material handling
- Testing machines and laboratory applications
- Food industry

Product characteristics

Characteristics	Advantages	Benefits
Speed and motion control of the actuator with a variable speed internal gear pump driven by a servo motor, operating as motor or generator	<ul style="list-style-type: none"> • Reduced energy consumption • High dynamics thanks to low mass moment of inertia • Freely and easily programmable process • Reduced cooling capacity needed • Lower noise emission • No control valves • Recovery of system energy 	<ul style="list-style-type: none"> + Increases the productivity of the machine thanks to the precise position and force control of the actuator as well as the easy adaptation to different production processes + Reduces investment and operating costs + Quick and easy installation and commissioning + Reduced effort and cost of noise protection measures
Closed hydraulic system	<ul style="list-style-type: none"> • No piping • Compact • Reduced oil volume • No hydraulic power unit 	<ul style="list-style-type: none"> + Easy integration into the machine + Fast and easy assembly and commissioning + No hydraulic know-how required + Low operating costs and environmental cleanliness + No initial or maintenance costs for a hydraulic power unit
Hydraulic power transmission	<ul style="list-style-type: none"> • Almost wear-free • Over-load safe operation • High power density • High forces realizable 	<ul style="list-style-type: none"> + Low service costs thanks to long service intervals. + Tools are protected, production downtimes are avoided and investments in overload safety are not necessary + Reduced machine footprint
Modular Design	<ul style="list-style-type: none"> • High variety of options • Scalable 	<ul style="list-style-type: none"> + Reduced development time and cost + Free selection from different servo motor and frequency converter manufacturer + Power can be adapted exactly to the machine cycle, thus reducing investment costs + High forces can be realized
Position measuring system, temperature and pressure sensors integrated into the axis	<ul style="list-style-type: none"> • Process monitoring without additional sensors and measuring systems • Sensors protected from damage and other process conditions 	<ul style="list-style-type: none"> + Drive is Industry 4.0-ready + Integration into the machine control without investment in sensors and measuring systems + Reliable sensor technology avoids production downtimes
Pre-configured software modules	<ul style="list-style-type: none"> • Control algorithms are optimally adapted to hydraulics and electronics 	<ul style="list-style-type: none"> + Fast and efficient commissioning + Easy integration into the machine control
Automatic or electrical controlled, load-dependent change of the hydraulic transmission ratio	<ul style="list-style-type: none"> • Reduced installed electrical power • Weight and size optimized components 	<ul style="list-style-type: none"> + Procurement and installation costs for the motor, inverter as well as other electric components are reduced + Energy consumption is reduced + Reduced machine footprint + Drive is suitable for robotic applications

Performance fluid PF-700 for servo drive DrivAx CLCP

Performance fluid PF-700 was developed especially for all power transmission systems with special requirements on tribology, temperature, oxidation and shearing stability. The result is a very high application period at minimum degradation.

- Very low frictional losses, therefore significantly enhanced efficiency of power transmission
- Energy saving
- High viscosity index
- Outstanding wear protection characteristics
- Compatible with commonly used sealing materials

For the servo drive DrivAx CLCP, exclusive use of PF-700 is mandatory.

Further data:

25000864510-TED-EN- and 25000864610-DSH-EN-.

This is a translated document

Original language: German.

Legally binding language version of the document: German.

Voith Group
St. Poeltener Str. 43
89522 Heidenheim
Germany

Contact:
Phone +49 7152 992 3
sales-rut@voith.com

www.voith.com/hydraulics



VOITH