

## Rectifier for Flow Control Valves NG 6 Technical Data Sheet



- Flow control in supply and return line of the consumer
- Allows the same speed of the consumer in both directions
- Sandwich plate valve
- Connection according to ISO 4401

## Technical Data

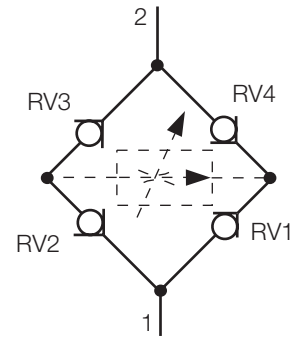
### General

Type of valve	seat valve
Valve mounting	hole 2 x Ø5,4
Connection of ports	mounting plate
Mounting position	mountable in any position
Ambient temperature	-5°C to +50°C
Mass valve	0.6 kg

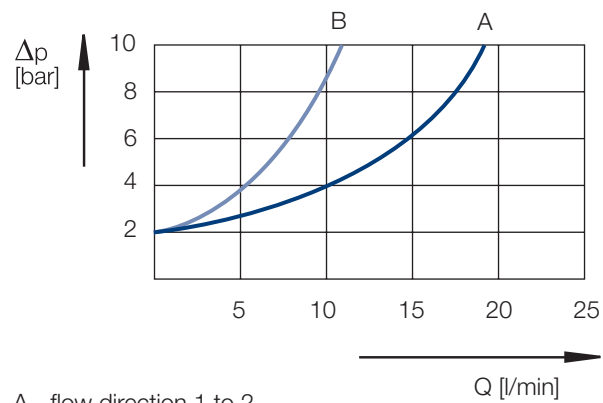
### Hydraulic

Operation pressure A, B	max. 250 bar
Hydraulic oil temperature	-10 to +70 °C
Viscosity range	10 to 300 mm <sup>2</sup> /s

## Symbol

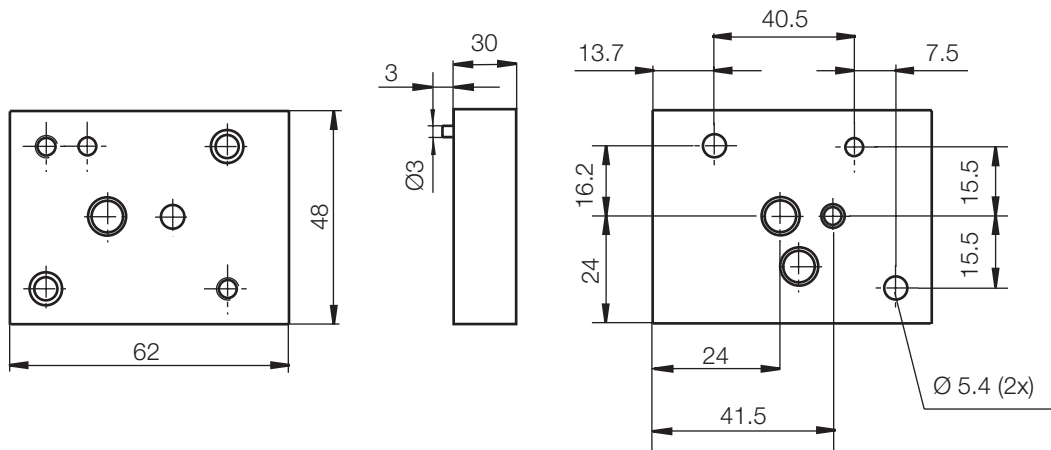


## Characteristic Curve

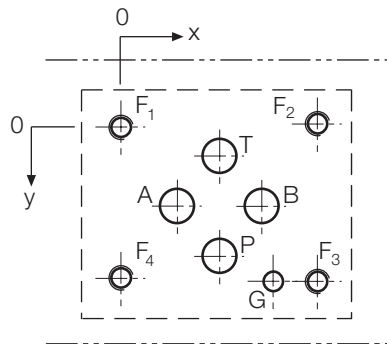


- A flow direction 1 to 2
- B flow direction 2 to 1

## Dimensional Drawing



## Port Connection Pattern NG 6 ISO 4401



The figure shows the side of the mounting plate to which the valve is fastened.

	<b>P</b>	<b>A</b>	<b>T</b>	<b>B</b>	<b>F1</b>	<b>F2</b>	<b>F3</b>	<b>F4</b>	<b>G</b>
Ø max [mm]	7.5	7.5	7.5	7.5	-	-	-	-	4
x [mm]	21.5	12.7	21.5	30.2	0	40.5	40.5	0	33
y [mm]	25.9	15.5	5.1	15.5	0	-0.75	31.75	31	31.75

F: M5, thread depth min. 1.5 x Ø

G: hole depth min. 1.5 x Ø

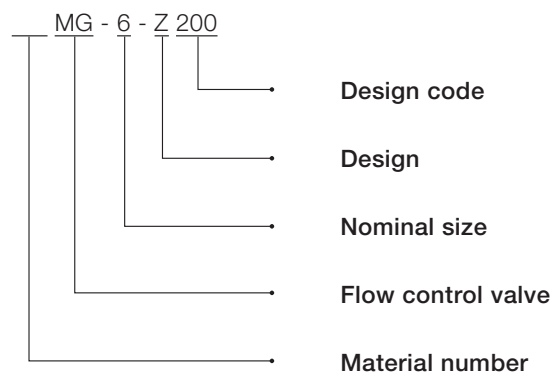
For connection of the rectifier for flow control valves, the ports A and B are used.

Various single and multiple mounting plates are available.

all dimensions in mm

## Type Code

---



Voith Turbo H + L Hydraulic GmbH & Co. KG  
Schuckertstraße 15  
71277 Rutesheim, Germany  
Tel. +49 7152 992 3  
Fax +49 7152 992 400  
sales-rut@voith.com  
[www.voith.com/hydraulic-systems](http://www.voith.com/hydraulic-systems)



**VOITH**  
Engineered Reliability