

One Way Restrictor NG 4 ISO 4401 sandwich-plate Technical Data Sheet



Technical Data

General

Type of valve	gap throttle
Mounting method	sandwich plate
Port connection	mounting plate
Mounting positions	mountable in any positions
Ambient temperature	-5 to +50 °C
Mass valve	0.6 kg

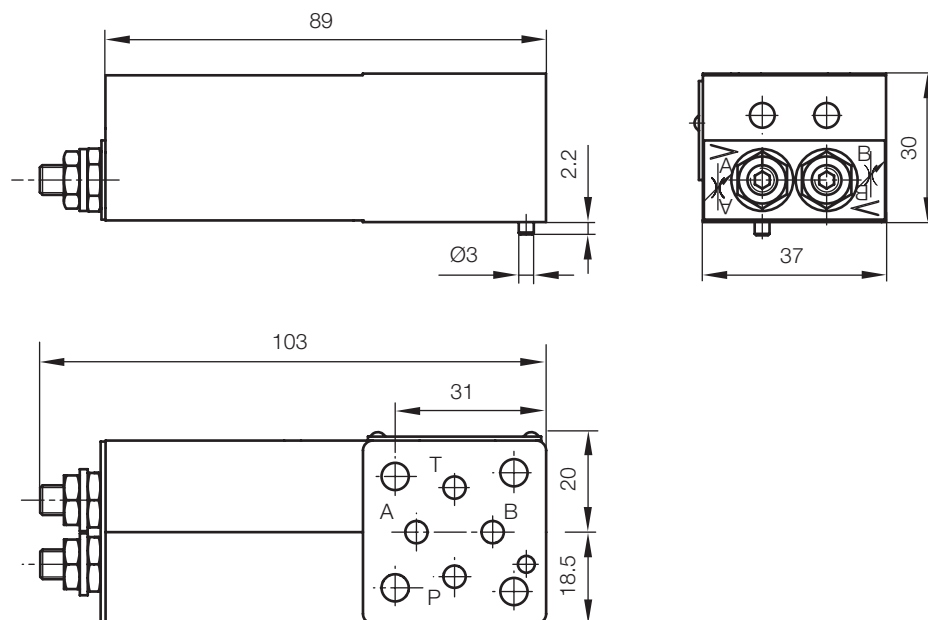
Hydraulic

Operating pressure	max. 315 bar
Hydraulic oil temperature	-5 to +70 °C
Viscosity range	10 to 300 mm ² /s
max. flow	characteristic curve

Features

- sensitive adjustement
- compact design

Maßzeichnung

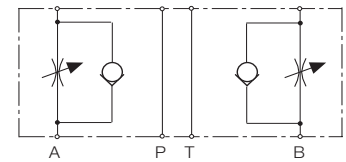


dimensions in mm

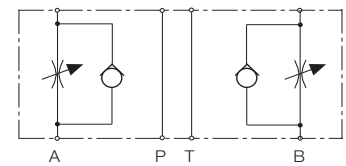
Symbol

11

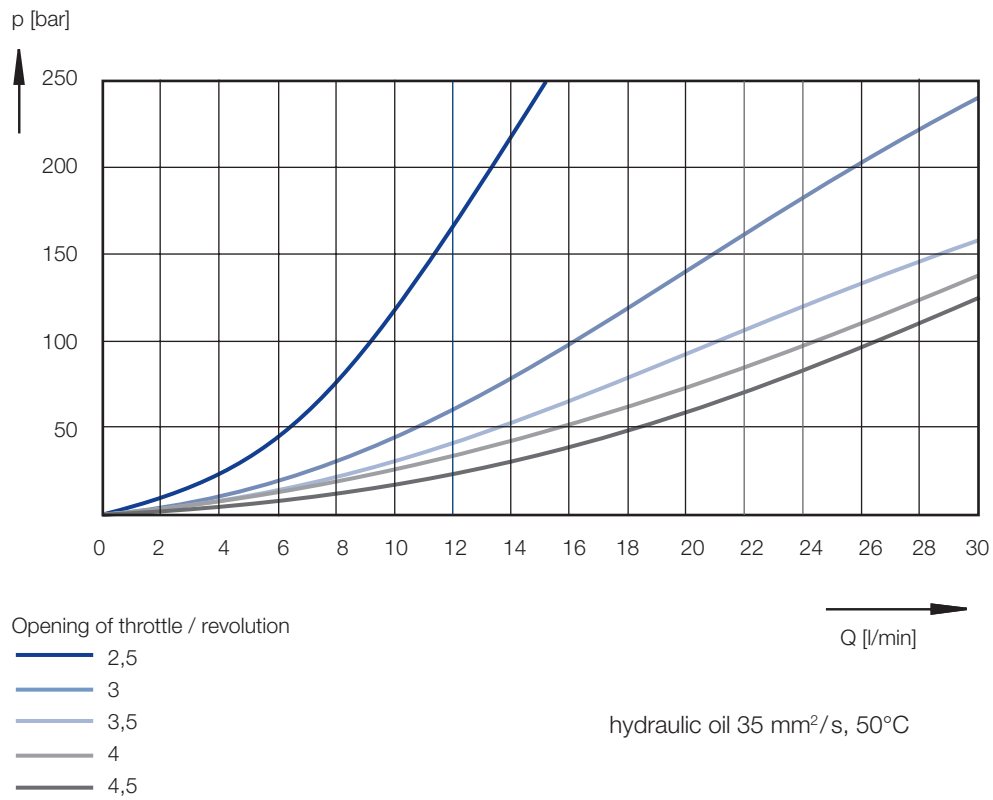
Supply throttling
double



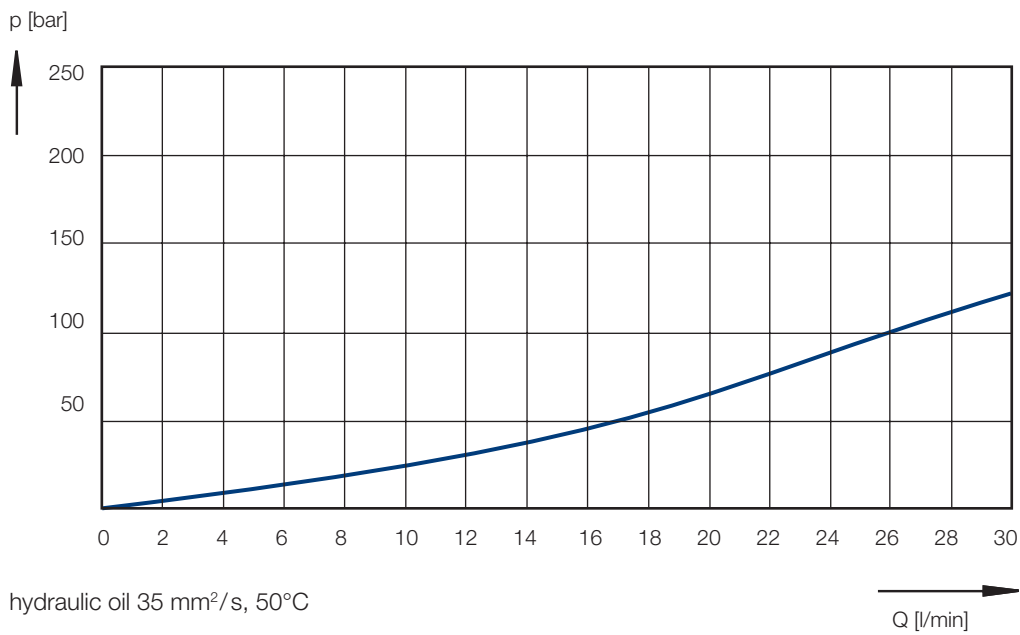
Return throttling
double



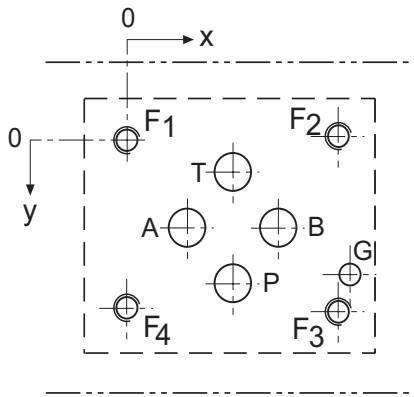
Characteristic Curve, Throttle Valve



Characteristic Curve, Check Valve



Port Connection Pattern NG 4 ISO 4401



view: fastening side of mounting plate

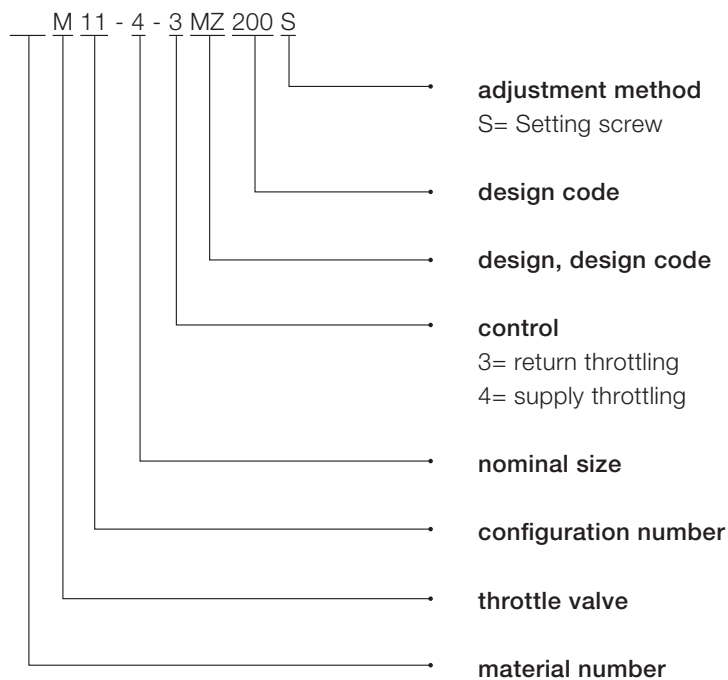
	P	A	T	B	F1	F2	F3	F4	G
Ø max [mm]	4.5	4.5	4.5	4.5	-	-	-	-	3.4
x [mm]	12	4.3	12	19.7	0	24	24	0	26.5
y [mm]	20.25	11.25	2.25	11.25	0	-0.75	23.25	22.5	17.75

F: M5, thread depth min. 1.5 x Ø

G: bore hole depth min. 1.5 x Ø

Various single and multiple mounting plates are available.

Type Code



This is a translated document. Original language: german.
Legally binding language version of document: german.

Voith Turbo H + L Hydraulic GmbH & Co. KG
Schuckertstraße 15
71277 Rutesheim, Germany
Tel. +49 7152 992 3
Fax +49 7152 992 400
sales-rut@voith.com
www.voith.com/hydraulic-systems



VOITH
Engineered Reliability