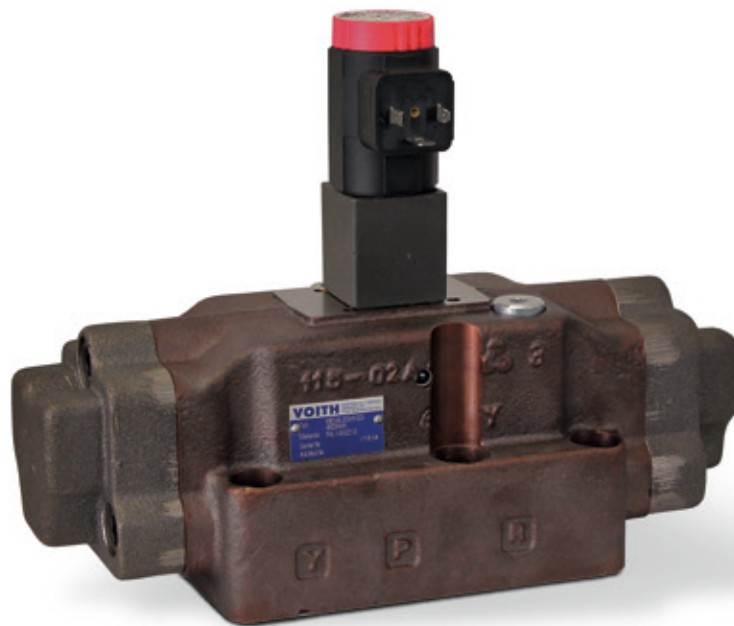


4/2, 4/3 Directional Control Valve, NG 25 ISO 4401, Pilot NG 4, ISO 4401, horizontal

Technical data sheet



Advantages

- + High switching power, short switching time
- + Energy saving due to minimized flow resistivity
- + With internal or external pilot oil supply
- + Easy service: solenoid can be changed without leakage while the valve is under system pressure
- + Solenoids can be rotated 3 x 90°

Technical Data

General

Type of valve	piston valve
Operation	electric
Mounting	6 x M12 x 60 DIN912
Connection of ports	mounting plate
Mounting positions	any position
Ambient temperature	-5 to +50 °C
Mass valve	10.5 kg

Hydraulic

Operating pressure P,A,B	max. 280 bar
Operating pressure T	max. 150 / 280*** bar
Pilot pressure range	15 to 120 bar
Pilot volume oil	4/3 valves: 2x 8,3 cm ³ 4/3 valves: 9,6 cm ³
Hydraulic oil temperature	-10 to +70 °C
Viscosity range	10 to 300 mm ² /s
Max. flow	450 l /min

Electric

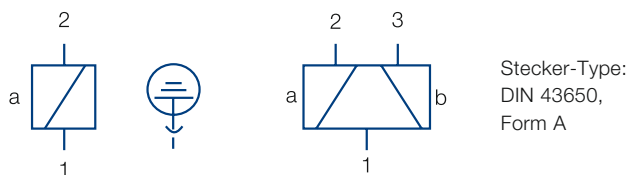
Voltage (±10%)	24 V DC	230V, 50Hz AC
Switching time off*	50 ms	50 ms
Switching time off**	60 ms	40 ms
Power consumption P20	28 W	
Start up peak P20		35 VA
Duty factor	100%	100%
Protective system DIN 40050	IP65 at connected valve plug	

* at 24V DC ±5%

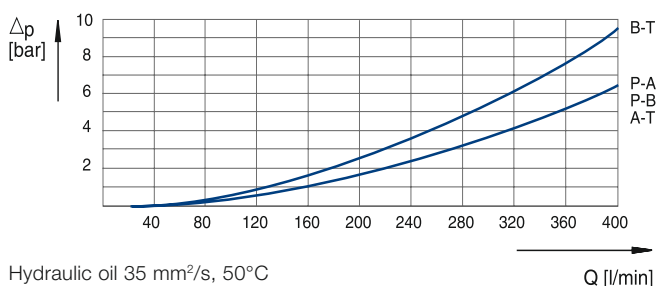
** at terminal voltage = -50V at free circuit

*** at external pilot oil drain

Electrical connection



Characteristic curve



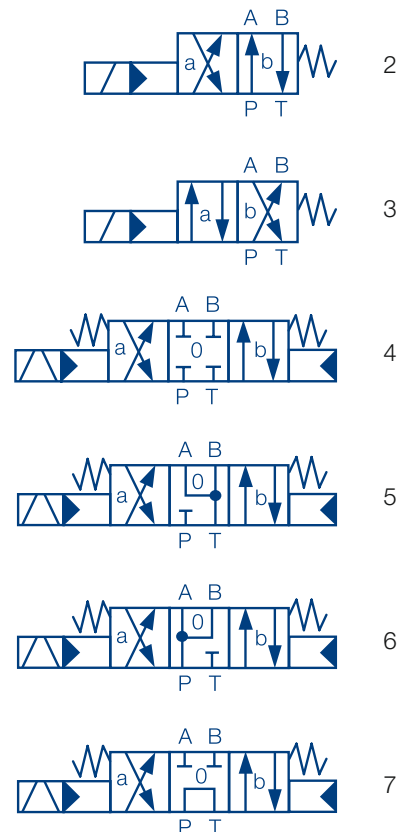
Advantages

- + Pilot controlled piston valve
- + High switching power
- + Short switching time
- + Energy saving due to minimized flow resistivity
- + With internal or external pilot oil supply
- + Easy service: solenoid can be changed without leakage while the valve is under system pressure
- + Solenoids can be rotated 3 x 90°, allowing alternative connector positions

Options

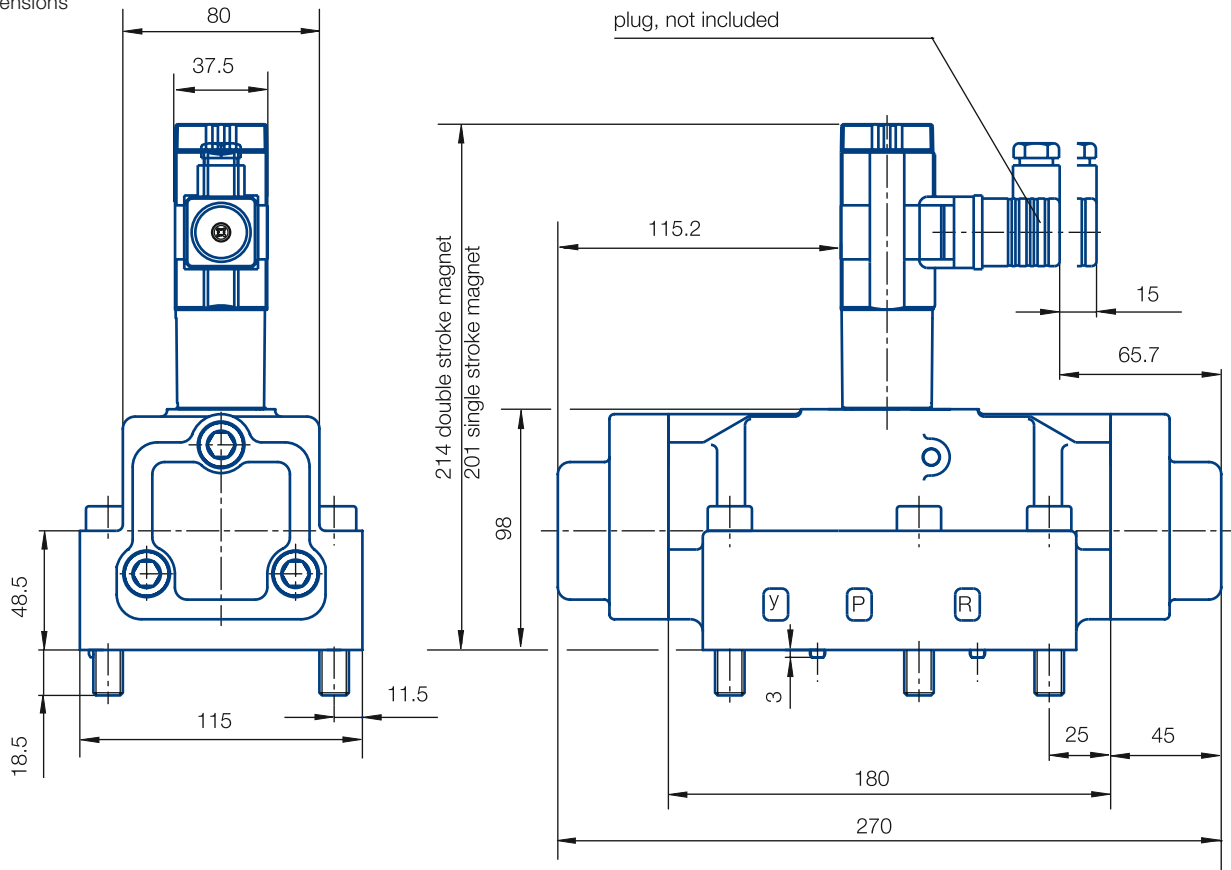
- Alternative voltages
- Alternative symbols - data sheet: 14607-DSH
- Alternative plugs
- Adjustable switching delay
- Electric monitoring of the spool position
- Stroke limitation (replace one-way restrictor)

Symbol



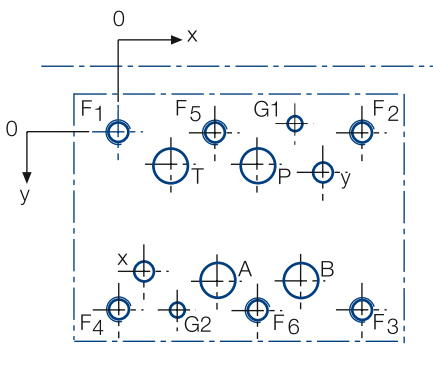
Dimensional drawing

all dimensions in mm



Fastening screws are not included,
6x M12x65 DIN 912 - 10.9, MA = 80 Nm

Port connection pattern



View: fastening side of mounting plate.

F: M12, thread depth min. 1.5 x Ø

G: Bore hole depth min. 1,5 x Ø

x and y: Only at external control

Various single and multiple mounting plates are available.

	P	A	T	B	x	y	F1	F2	F3	F4	F5	F6	G1	G2
Ø max [mm]	25	25	25	25	11,2	11,2	-	-	-	-	-	-	7,5	7,5
x [mm]	77	53,2	29,4	100,8	17,5	112,7	0	130,2	130,2	0	53,2	77	94,5	29,4
y [mm]	27,5	74,6	17,5	74,6	73	19	0	0	92,1	92,1	0	92,1	-4,8	92,1

Type code

We 05 - 25 H 100 - 4 R X Y T2 B1 Z 024/0 H N

manual emergency operation

electric interface

H = plug DIN 43650, design A

M = plug M12

power supply

024/0 = 24V DC

220/5 = 230V/50Hz

solenoid type

R = single solenoid

Z = double solenoid

stroke limitation

adjustable switching time

pilot oil drain extern

pilot oil supply extern

design pilot valve

nominal size pilot valve

design code

mounting

design

symbol

directional control valve, electrically operated

material number

This is a translated document. Original language: german.
Legally binding language version of document: german.

Voith Group
St. Poeltener Str. 43
89522 Heidenheim
Germany

Contact:
Phone+49 7152 992 3
sales-rut@voith.com

www.voith.com/hydraulic-systems



VOITH
Inspiring Technology
for Generations